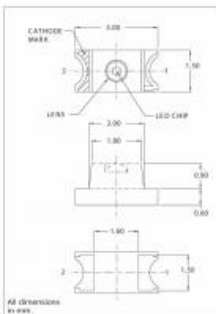




## Products

### LEDs

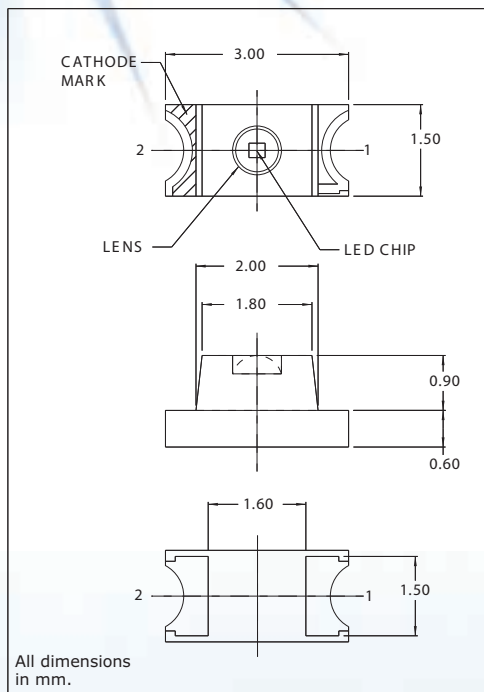
CML IT is a world leader in the manufacturing of LEDs and LED assemblies. CML offers a wide variety of products utilizing LEDs as a light source. Our line of discrete LEDs consists of both through hole and SMT products in all of the standard industry sizes including 3mm, 5mm, 0603, 0805, 1206, PLCC and any others. All CML-IT LEDs are available off-the-shelf in a wide variety of colors and intensities. Binning for through LEDs is one competitive service of CML Innovative Technologies, please contact us.



**Part Number:** 7010X1  
**Serial Number:** 7010X  
**LED Type:** SMT  
**Industry Size:** 1206  
**Metric Size:** 3.0 x 1.5 x 1.5 mm  
**Output Color:** RED  
**Epoxy:** CLEAR NON-DIFFUSED  
**Peak Wave length (mA):** 630  
**Minimum MCD:** All  
**Typical MCD:** 6  
**Forward Volt (Typical):** 2  
**Forward Volt (Max):** 2.5  
**Rate Current (mA):** 20  
**Viewing Angle (°):** 70  
**Operating Temperature:** -0.352941176  
**Storage Temperature:** -0.4  
**Power Dissipation:** 75  
**Cont Forward Current Max:** 30  
**RoHS Status:** Yes

**7010X Series SMT LEDs 1206 Package Size**

**DESCRIPTION AND FEATURES**



**Surface Mount Technology**

- Tape and reel packaged for high-speed autoinsertion.
- Convection and vapor-phase reflow compatible.
- Compact form enables high density placement.
- Packaged 2500 pieces per reel.

**Leading Edge LED Optoelectronic Performance**

- Consistent high brightness.

**Exceptional Reliability**

- Stringent process controls assure quality.
- Extensive qualification testing to meet strictest requirements.
- Designed to permit easy post-reflow solder joint inspection.
- Solder pad geometry on page 1-X2.

**ELECTRO-OPTICAL CHARACTERISTICS AND RATINGS**

PART NUMBER	7010X1	7010X3	7010X5	7010X7	7010X11	7010X13	7010X15
Output Color	Red	Orange	Green	Yellow	Red	Yellow	Green
Diffusion	Non-Diffused	Non-Diffused	Non-Diffused	Non-Diffused	Non-Diffused	Non-Diffused	Non-Diffused
Package Color	Clear	Clear	Clear	Clear	Clear	Clear	Clear
Test Current (mA)	20	20	20	20	20	20	20
Forward Voltage Typ. (V)	2.0	2.2	2.1	2.1	1.7	2.2	2.1
Forward Voltage Max. (V)	2.5	2.5	2.5	2.5	2.0	2.5	2.5
Luminous Intensity Min. (mcd)	3.5	5.0	3.0	6.0	6.0	3.0	0.9
Luminous Intensity Typ. (mcd)	6.0	9.0	7.5	12.0	17.0	6.0	2.3
Luminous Intensity Max. (mcd)	-	-	-	-	-	-	-
Peak Wavelength (nm)	630	605	560	570	660	580	555
Viewing Angle 2θ 1/2 (degrees)	70	70	70	70	70	70	70
Power Dissipation (mW)	75	75	75	75	60	75	75
Operating Temperature (°C)	-30 to +85	-30 to +85	-30 to +85	-30 to +85	-30 to +85	-30 to +85	-30 to +85
Storage Temperature (°C)	-40 to +100	-40 to +100	-40 to +100	-40 to +100	-40 to +100	-40 to +100	-40 to +100
Peak Forward Current Max. (1μs @ 10% duty cycle) (mA)	70	70	70	70	70	70	70
Reverse Voltage (IR=100μA) (V)	4	4	4	4	4	4	4
Lead Solder Time @ 260°C	5	5	5	5	5	5	5